



ADAPT PENDANT

ADAPT PENDANT

ADAPT Pendant is a series of designer pendants, anchoring hardware, LED light engine and ADAPT glassware, which produce multiple mix and match options.

Based on the ADAPT light string series, Tivoli adds another element that can be designed into your interior space to connect your exterior element.



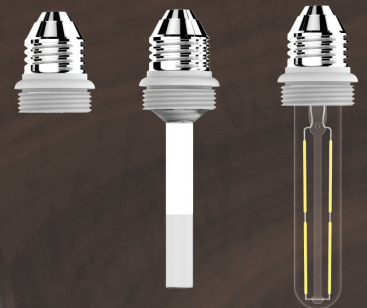
PENDANT STYLE

Multiple styles, shapes, materials and colors to choose from, allowing you to find the perfect fit for your design. Matching cord and drop anchor gives you the freedom to explore different hanging configurations to overcome difficult applications.



ADAPT GLASS

Our highly popular ADAPT glassware can be used as an indoor designer pendant. With 11 globe options to choose from, ADAPT becomes an exceptionally versatile system that can evolve to your specific taste. All globes are conformal coated with shatter resistant silicone to reduce or prevent fragmenting should the glass break.



LIGHT ENGINE

3 LED Light engines that produce 3 distinctly different effects are available. COB (Chip On Board), filament (T25), and pillar with frosted tip, give you another tool to complete the look you are trying to achieve.

ADAPT PENDANT

Light Engine Specifications

Light Engines (based on 2700K)

| Type | COB | FILAMENT | PILLAR |
|--------------------------|---------------------|--------------|---------------------|
| Kelvin Temperature | 2700K, 4000K, 6500K | 2700K, 3000K | 2700K, 4000K, 6500K |
| Lumens/bulb | 350 | 400 | 350 |
| Power Consumption W/blub | 3 | 4 | 3 |
| Efficiency (Lm/W) | 116.6 | 100 | 116.6 |
| CRI | 80+ | | |
| Input Voltage | 120V | | |

Physical

| | |
|------|-----|
| Base | E26 |
|------|-----|

Certification and Testing

| | |
|---------------|---------|
| Certification | cULus |
| IP Rating | IP54 |
| Environment | Indoor |
| Warranty | 5 years |

Pendant Specifications

Physical

| | |
|----------------------|------------------------|
| Socket Base Material | Electroplated Aluminum |
| Textile Cord Length | 118" |
| Anchor Cord Length | 48" |
| Canopy Diameter | 4.75" |
| Weight | 2 lbs. |

Electrical

| | |
|---------------|-------|
| Input Voltage | 120V |
| Dimming | TRIAC |

ADAPT Glass Specifications

Physical

| | |
|----------------|--|
| Globe Material | Glass (Shatter resistance assist with silicone coating - Glass may still break under certain conditions) |
| Globe Size | G125, S60 |

Pendant Ordering Information

PRODUCT CODE

STYLE

ADP

ADP = ADAPT Pendant

[]

STE = Stephen
AND = Andres*
VIN = Vincent
JAV = Javier*
WIL = William
MAR = Mark*



Stephen
White



Andres*
Brass



Vincent
Bronze



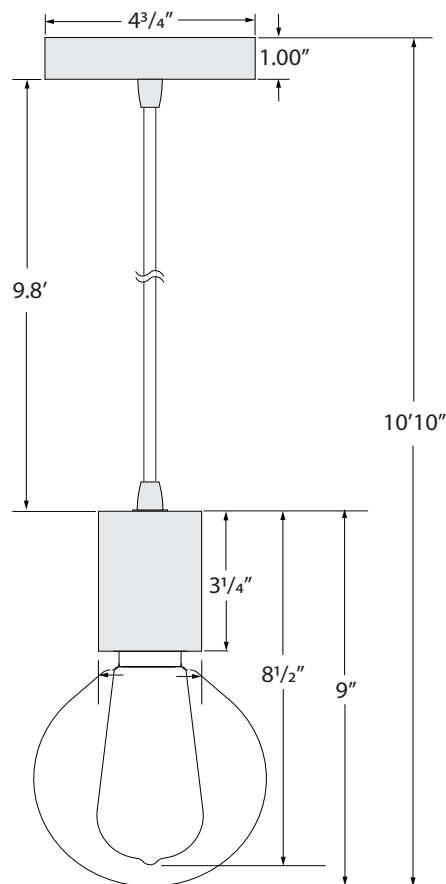
Javier*
Brass



William
Gun Metal Black



Mark*
Black Marble



*Consult Factory for MOQ and Lead Time

Light Engine Ordering Information



COB LIGHT
ALS-CB-NA-E26-3W-27K
 COB, 2700K, Sold Each
ALS-CB-NA-E26-3W-40K
 COB, 4000K, Sold Each
ALS-CB-NA-E26-3W-65K
 COB, 6500K, Sold Each
ALS-CB-NA-E26-3W-27K-6PK
 COB, 2700K, Sold 6 Pack
ALS-CB-NA-E26-3W-40K-6PK
 COB, 4000K, Sold 6 Pack
ALS-CB-NA-E26-3W-65K-6PK
 COB, 6500K, Sold 6 Pack



FILAMENT LIGHT
ALS-TF-T25-E26-4W-27K
 Filament Light 2700K, Sold Each
ALS-TF-T25-E26-4W-27K-6PK
 Filament Light 2700K, Sold 6 Pack
ALS-TF-T25-E26-4W-30K
 Filament Light 3000K, Sold Each
ALS-TF-T25-E26-4W-30K-6PK
 Filament Light 3000K, Sold 6 Pack



PILLAR LIGHT
ALS-LG-T20-E26-3W-27K
 Pillar, 2700K, Sold Each
ALS-LG-T20-E26-3W-40K
 Pillar, 4000K, Sold Each
ALS-LG-T20-E26-3W-65K
 Pillar, 6500K, Sold Each
ALS-LG-T20-E26-3W-27K-6PK
 Pillar, 2700K, Sold 6 Pack
ALS-LG-T20-E26-3W-40K-6PK
 Pillar, 4000K, Sold 6 Pack
ALS-LG-T20-E26-3W-65K-6PK
 Pillar, 6500K, Sold 6 Pack

Globe Ordering Information



Gina
LSA-GIN-N



Katie
LSA-KAT-N



Ana
LSA-ANA-N



Gaby
LSA-GAB-N



Angela
LSA-ANG-N



Brenda
LSA-BRE-N



Victoria*
LSA-VIC-N



Susan*
LSA-SUS-N



Toni*
LSA-TON-N



Lucia*
LSA-LUC-N



Laura*
LSA-LAU-N

*Consult Factory for MOQ and Lead Time.

Recommended Step-Down Transformers

| CAT NO | PRIMARY | SECONDARY | TOTAL WATTAGE | DIMENSIONS |
|--------------------|---------|-----------|---------------|---------------------------|
| SC-250-277120A-SD | 277V AC | 120V AC | 250W | 3.30"W X 8.00"L X 3.10"D |
| SC-500-277120A-SD | 277V AC | 120V AC | 500W | 5.10"W X 10.20"L X 4.60"D |
| SC-1000-277120A-SD | 277V AC | 120V AC | 1000W | 5.06"W X 10.19"L X 4.59"D |

Note: Consult Factory for Dimmer compatability options

NOTE:
Tivoli recommends loading the transformer up to 90% capacity due to unknown installation environment. During installation, leave no less than 6" perimeter for ventilation. Consult power supply installation instructions for further details.

ADAPT Pendant - How it works

(A) The unique placement of the drop anchor provides multiple configurations of the ADAPT Pendant to fit your application needs. Simply install the 4.75" canopy to its nearest respective J-Box.

(B) Mount the drop anchor to an opposite desired surface to align your pendant where illumination is needed.

(C) Vertical and/or horizontal adjustment of the 4' anchor cord and drop retainer for a more precise location may be required (included).

